



## FTG-S12G-S55Q-080

GBIC 1000Base-ZX, 1550nm, single-mode, 80km



### Description

FTG-S12G-S55Q-080 series GBIC transceiver can be used to setup a reliable, high speed serial data link over single-mode fiber. Maximum link span can reach 80km. Module is fully compliant with GBIC MSA specifications and it is available in two hardware versions:

Model	Operating case temperature
FTG-S12G-S55Q-080	0~70°C
FTG-S12G-S55Q-080I	-40~85°C

Host device can access module internal EEPROM memory via I<sup>2</sup>C interface.

Transceiver can be prepared as compatible with: Cisco, HP, Netgear, Avaya, D-Link, Brocade, Extreme Networks, Huawei, Enterasys, 3Com, Alcatel-Lucent and other. To confirm compatibility please contact technical support before ordering.

### Applications

- Gigabit Ethernet (1.25Gbps)
- Fiber Channel (1.0625Gbps)



## Key features

- SC Duplex receptacle
- Transmission distance up to 80km\*\*
- DFB laser diode 1550nm transmitter, PIN receiver
- Throughput up to 1.25Gb/s (1x Fibre Channel, Gigabit Ethernet)
- Fully compliant with GBIC MSA INF-8053
- Hot-Pluggable
- RoHS compliant
- Class 1 laser safety
- Low power dissipation (<1W)
- Metal case for low EMI
- Operating case temperature\* : 0~70°C / -40~85°C

## Specification

### Supported transmission technology

Gigabit Ethernet, Fibre Channel

### Speed supported for Ethernet technology

1.25Gbps

### Speed supported for Fibre Channel technology

1.0625Gbps

### Transmission medium

Single-mode fiber 9/125µm

### Transmission distance\*\*

80km

### Receptacle type

SC Duplex

### Wavelength

1550nm

### Output power

0~+5dBm

### Receiver sensitivity

-28dBm

### Power supply voltage

5V

### Total power consumption

< 1W

### Operating environment – temperature\*

0~70°C / -40~+85°C

### Operating environment - humidity

5~95% non-condensing

### Dimensions

65.35mm × 33.3mm × 10.5mm

\* - standard / industrial version

\*\* - transmission distance depends on optical link attenuation



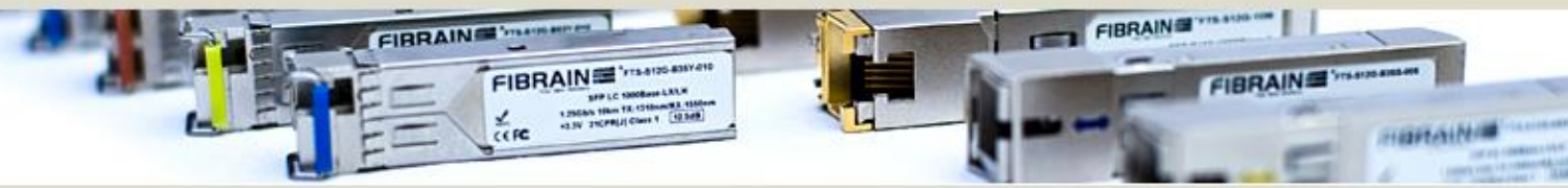
## Detailed technical specification

### Pin Description

Pin	Name	Function/Description	Notes
1	RX_LOS	Loss of Signal	4
2	RGND	Receiver Ground	
3	RGND	Receiver Ground	
4	MOD_DEF(0)	Module Definition 0-Grounded in module	3
5	MOD_DEF(1)	Module Definition 1-Two wire serial ID interface	3
6	MOD_DEF(2)	Module Definition 2-Two wire serial ID interface	3
7	TX_DISABLE	Transmitter Disable-Module disables on high or open	2
8	TGND	Transmitter Ground	-
9	TGND	Transmitter Ground	-
10	TX_FAULT	Transmitter Fault Indication	1
11	RGND	Receiver Ground	-
12	RD-	Inverse Received Data out	5
13	RD+	Received Data out	5
14	RGND	Receiver Ground	-
15	VccR	Receiver Power - +5V±5%	6
16	VccT	Transmitter Power - +5V±5%	6
17	TGND	Transmitter Ground	-
18	TD+	Transmitter Data In	7
19	TD-	Inverse Transmitter Data In	7
20	TGND	Transmitter Ground	-

#### Notes:

- TX Fault is open collector/drain output which should be pulled up externally with a 4.7KΩ-10KΩ resistor on the host board. When high, this output indicates a laser fault of some kind. Low indicates normal operation.
- TX Disable input is used to shut down the laser output per the state table below. It is pulled up to Vcc within the module.  
Low (0 – 0.8V): Transmitter on  
Open or High (2.0 – VccT): Transmitter Disabled
- Mod-Def 0, 1, 2. These are the module definition pins. They should be pulled up to Vcc with a 4.7KΩ-10KΩ resistor on the host board  
Mod-Def 0 is grounded by the module to indicate that the module is present.  
Mod-Def 1 is clock line of two wire serial interface for optional serial ID.  
Mod-Def 2 is data line of two wire serial interface for optional serial ID.
- LOS (Loss of signal) - when high, this output indicates the received optical power is below the worst case receiver sensitivity (as defined by the standard in use). Low indicates normal operation.
- These are the differential receiver outputs. They are AC coupled 100Ω differential lines which should be terminated with 100Ω differential at the user SERDES. The AC coupling is done inside the module and thus not required on the host board.
- VccR and VccT are the receiver and transmitter power supplies. They are defined as 5V±5% at the GBIC connector pin. The in-rush current will typically be no more than 30mA above steady state supply current after 500ns.
- TD-/+: These are the differential transmitter inputs. They are AC coupled differential lines with 100Ω differential termination inside the module. The AC coupling is done inside the module and is thus not required on host board.



## Electrical parameters

Parameter	Symbol	Min.	Typ.	Max.	Unit	Notes
Transmitter Differential Input Volt	+/-TX_DAT	650		2000	mV p-p	1
Receiver Differential Output Volt	+/-RX_DAT	600		2000	mV p-p	2
Tx_Disable Input Voltage – Low	V <sub>IL</sub>	0		0.8	V	
Tx_Disable Input Voltage – High	V <sub>IH</sub>	2.0		V <sub>CC</sub>	V	
Tx_Fault Output Voltage – Low	V <sub>OL</sub>	0		0.8	V	3
Tx_Fault Output Voltage – High	V <sub>OH</sub>	2.0		V <sub>CC</sub>	V	3
Rx_LOS Output Voltage- Low	V <sub>OL</sub>	0		0.8	V	3
Rx_LOS Output Voltage- High	V <sub>OH</sub>	2.0		V <sub>CC</sub>	V	3
Throughput	B		1250		Mb/s	
Total current requirement				270	mA	

## Transmitter parameters

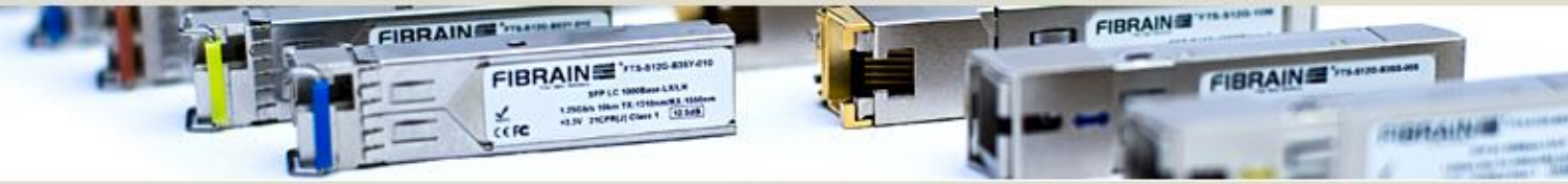
Parameter	Symbol	Min.	Typ.	Max.	Unit	Notes
Central wavelength	$\lambda_c$	1530	1550	1560	nm	
Spectral width	$\Delta\lambda$			4	nm	
Site mode suppression ratio	SMSR	30			dB	
Launch optical power	P <sub>o</sub>	0		+5	dBm	4
Extinction ratio	EX	9			dB	
Dispersion penalty				1	dB	
Optical rise/fall time	T <sub>rise</sub> /T <sub>fall</sub>			260	ps	5
Eye diagram	Compliant with IEEE802.3-2005 Gigabit Ethernet 1000BASE-LX					

## Receiver parameters

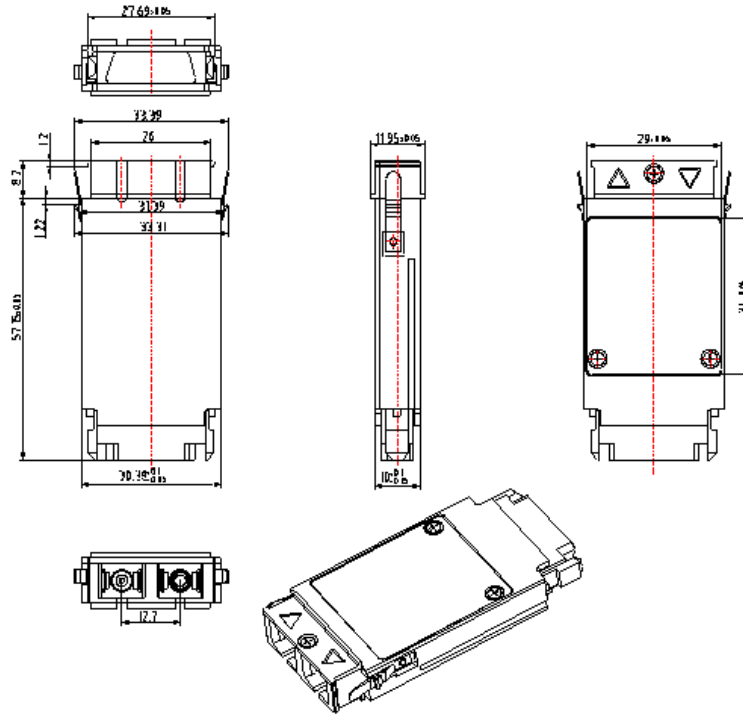
Parameter	Symbol	Min.	Typ.	Max.	Unit	Notes
Sensitivity	P <sub>min</sub>			-28	dBm	6
Central wavelength	$\lambda_c$	1260		1620	nm	
Receiver overload	P <sub>MAX</sub>	-6			dBm	6
RX_LOS Asserted	S <sub>A</sub>	-45			dBm	
RX_LOS De-Asserted	S <sub>D</sub>			-29	dBm	
RX_LOS Hysteresis	-		3.0		dB	
Optical return loss	ORL	12			dB	

### Notes:

- Internally AC coupled and terminated to 100Ω differential load.
- Internally AC coupled, but requires a 100Ω differential termination or internal to Serializer/Deserializer.
- It is open collector/drain output which should be pulled up externally to V<sub>CC</sub> with a 4.7KΩ-10KΩ resistor on the host board. LOS: logic 0 indicates normal operation; logic 1 indicates no signal detected.
- Optical power is launched into SMF
- 20-80%
- Measured with PRBS 2<sup>23</sup>-1 at 10<sup>-12</sup> BER



## Mechanical specification



## Recommended environment conditions

Parameter	Symbol	Min	Typ	Max	Unit
Operating Temperature Range (industrial)	T	-40	-	85	°C
Operating Temperature Range (standard)	T	0	25	70	°C
Supply Voltage	V <sub>CC</sub>	4.75	5	5.25	V
Relative Humidity	RH	5	-	95	%

## Ordering information

FTG-S12G-S55Q-080 – 1550nm, 80km, single-mode, SC duplex, commercial temperature (0~70°C)

FTG-S12G-S55Q-080I – 1550nm, 80km, single-mode, SC duplex, **extended temperature** (-40~85°C)

For further information regarding host device PCB layout recommendation, power supply requirements, EEPROM memory map please check:

[INF-8053 - Technical specification for GBIC transceiver](#)

Fibrain Sp. z o.o. reserves the right to make changes to the products or information contained herein without notice. No liability is assumed as a result of their use or application.

Pictures used for reference only, actual product look may differ. For most actual information please contact technical support via [aktywa@fibrain.pl](mailto:aktywa@fibrain.pl)