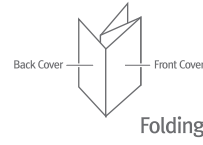


# ONT QIG print specification

Color: ■ PANTONE 286C ■ Black  
 Paper Material: White paper 150g  
 Size: 105 x 148.5 mm (per 1 page)

— Cutting line  
 — Folding line



### Declaration of RoHS Conformity

Dasan Networks considers the protection of the environment and the preservation of natural resources as a major duty and thus undertakes great efforts to design its products to be environment friendly.

Therefore, as of July 1st, 2006, all contract products of Dasan Networks

- to which the RoHS (the Restriction on the use of certain Hazardous Substances in electrical and electronic equipment) directive applies

- and which are put on the market within the countries where the RoHS requirements are transposed into national law

are in compliance with the requirements of the RoHS.

Dasan Networks reserves the rights to apply the exemptions to the RoHS requirements as set out in the Annex to the RoHS directive, in particular lead in solders for network infrastructure equipment for switching, signaling, transmission as well as network management for telecommunication.



## H660G QIG (Quick Guide)

v3

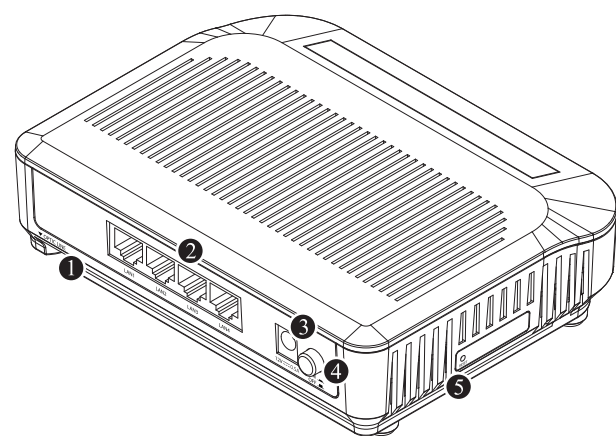
### GPON Optical Network Terminal (ONT)

Information furnished by DASAN Network Solutions is believed to be accurate and reliable. However, no responsibility is assumed by DASAN Network Solutions for its use, nor for any infringements of patents or other rights of third parties which may result from its use. No license is granted by implication or otherwise under any patent or patent rights of DASAN Network Solutions. DASAN Network Solutions reserves the rights to change specifications at any time without notice.  
 Copyright © 2016 by DASAN Network Solutions. All rights reserved.

DASAN Network Solutions

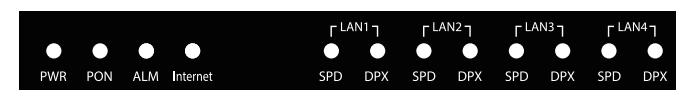
DASAN Network Solutions  
 DASAN Tower, 49, Daewangpangyo-ro 644 Beon-gil, Bundang-gu, Seongnam-si, Gyeonggi-do, 463-400 KOREA

### 2.3 Rear View



Item	Description
① OPTIC LINE	Connect optical network.
② LAN1~4	Connect PC or LAN.
③ Power Port	Connect power adapter.
④ ON/OFF	Turn on/off the unit.
⑤ RESET	Reboot the unit.

### 2.4 Front View (LEDs)



Label	Light	Status	Description
PWR	Green	On	The system is turned on.
		Off	The system is turned off.
PON	Green	On	No optic signal. And the unit has not been registered.
		On	Optic signal normal. Normally registered.
		Blink	Firmware being downloaded. DO NOT turn off the unit.
ALM	Orange	On	Normally registered. But profiles Not being applied.
		On	No optical signal, firmware update fail or other faults.
		Blink	BIP errors were detected. Check that optic cable is in good condition and fully inserted.
Internet	Green	Off	Loopback test being performed.
		On	ONT normally operating.
		Off	Configuration is not finished.

### 1. Caution

Please follow the instructions below to avoid physical injury:  
 You should not install the unit during a storm. Likewise you should not connect or disconnect any line to avoid the risk of electric shock.  
 Lay the cables so that no one can step on them or trip over them.  
 This section lists important information that will help you to get proper use of this unit and accessories. Please read the following instructions carefully before installing and operating your unit.

#### ⚠ Caution & Warning

- This unit is indoor use and all the communication wirings are limited to inside of the building.
- DO NOT plug in, turn on or attempt to operate an obviously damaged unit.
- Never look directly at the fiber TX port and fiber cable ends when they are powered on.
- DO NOT use near water.
- DO NOT place near high temperature source.
- DO NOT disassemble the unit.
- DO NOT operate the unit in a location where the maximum ambient temperature exceeds 50°C.
- Open optical connections must use a protective cap under all circumstances to protect against physical damage and dirt.
- Before making connections, use isopropyl alcohol and non-fibrous cellulose to clean the faces of the connectors.
- Avoid impact stresses when handling connectors. Physical damage to the faces of optical connections impairs transmission quality (higher attenuation).
- Avoid a bend radius in excess of 30 mm for fiber optic links.
- Check the available voltage supply.
- Only use the unit in dry rooms.
- Set up the unit away from direct sunlight or other electrical equipment.
- Only connect approved accessories.
- It may only be repaired by authorized service personnel.

#### ✓ Limited Warranty

- Not covered under this warranty is defect and damage resulting from product disassembly by yourself. And also, such behavior may amount to intellectual property infringement.

### 2. Introduction

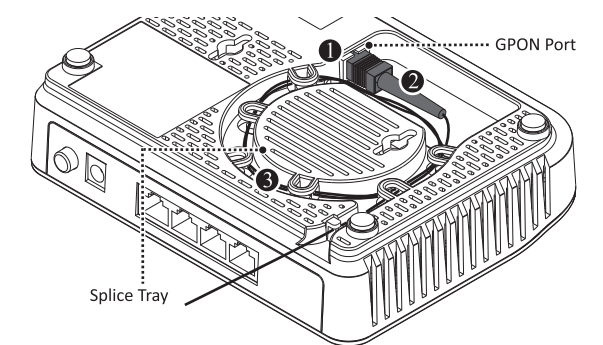
#### 2.1 Package Contents

- H660G
- Power Adapter
- RJ45 UTP Cable (CAT5e)
- QIG (Quick Guide)

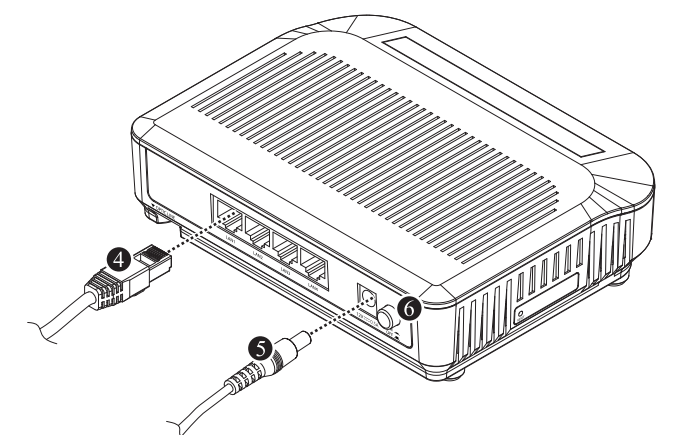
#### 2.2 Specification

Item	Specification
SDRAM	128MB
Flash Memory	128MB
Uplink Interface	1 GPON port (1G, SC/APC)
Service Interface	4 10/100/1000Base-T ports (RJ45)
LED	PWR, PON, ALM, Internet, LAN1~4 (SPD/DPX)
Power Adapter	Output: 12VDC/0.5A
Operating Temp.	-5 to +50°C
Operating Humidity	20 to 90% (non-condensing)
Dimensions (W x D x H)	160 x 125 x 44.5 mm
Button	ON/OFF power, RESET

Label	Light	Status	Description
LAN 1~4	Green	On	The 1G port link is up.
		Blink	The 1G transmit or receive activity is present on the service port.
	Orange	On	The 100M port link is up.
		Blink	The 100M transmit or receive activity is present on the service port.
	Red	On	The 10M port link is up.
		Blink	The 10M transmit or receive activity is present on the service port.
DPX	Off	Link down	
		Green On	Full duplex
		Orange On	Half duplex
		Off	Link down



- Connect the Ethernet cable from LAN port to PC.
- Connect a power adapter from power port to a live AC outlet.
- Turn on the unit by pushing the power button.



### 3. Installation

- Remove the protective cap of GPON port.
- Connect an SC/APC connector optic cable to the port.
- And then arrange optic line on splice tray, not to give damage to GPON connection due to any possible pull.