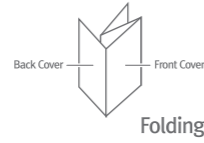


ONT QIG print specification

Color: Black
 Paper Material: White paper 150g
 Size: 105 x 148.5 mm (per 1 page)

— Cutting line
 — Folding line



4. Web Access

- You can access the unit through a web browser by using the following steps.
- Connect LAN port of the unit to your PC using Ethernet cable.
 - Configure IP assignment of your PC to DHCP (dynamic assignment).
 How to configure dynamic IP on your PC is as follows:

For Windows XP:

Start > Setting > Network Connections > Local Area Connection double click > Internet Protocol (TCP/IP) double click > Obtain an IP address automatically and Obtain DNS server address automatically selection > OK

For Windows 7:

Start > Control Panel > View network status and tasks under Network and Internet (View by: Category) > Change adapter settings on the left menu > Local Area Connection right-click > Properties > Internet Protocol Version 4 (TCP/IPv4) double click > Obtain an IP address automatically and Obtain DNS server address automatically selection > OK

The PC will be allocated IP address automatically through the unit.

- Open a web browser, and enter **http://192.168.55.1** in a URL field.
- Type **admin/password** in user name/password field, and log into the system. Initial page is displayed.

* For a default SSID and password, please check a label on the bottom panel of your unit.

* To change the SSID and/or password, move onto **Wi-Fi Setup > WiFi Settings** on the web. And change them and click **Save**.

Maximum wireless signal rate derived from IEEE standard 802.11 specifications. Actual data throughput and wireless coverage will vary. Network conditions and environmental factors, including volume of network traffic, building materials and construction, and network overhead, lower actual data throughput rate and wireless coverage.

DASAN Network Solutions
 DASAN Tower, 49, Daewangpangyo-ro 644 Beon-gil, Bundang-gu, Seongnam-si, Gyeonggi-do, 463-400 KOREA



V 1.0



Quick Installation Guide
H660RM

Copyright 2017 © DASAN Network Solutions, Inc. All Rights Reserved.

1. Caution

Please follow the instructions below to avoid physical injury:
 You should not install the unit during a storm. Likewise you should not connect or disconnect any line to avoid the risk of electric shock.

Caution & Warning

- This unit is indoor use and all the communication wirings are limited to inside of the building.
- DO NOT plug in, turn on or attempt to operate an obviously damaged unit.
- Never look directly at the fiber TX port and fiber cable ends when they are powered on.
- DO NOT use near water.
- DO NOT place near high temperature source.
- DO NOT disassemble the unit.
- DO NOT operate the unit in a location where the maximum ambient temperature exceeds 50°C.
- Open optical connections must use a protective cap under all circumstances to protect against physical damage and dirt.
- Before making connections, use isopropyl alcohol and non-fibrous cellulose to clean the faces of the connectors.
- Avoid impact stresses when handling connectors. Physical damage to the faces of optical connections impairs transmission quality (higher attenuation).
- Avoid a bend radius in excess of 30 mm for fiber optic links.
- Check the available voltage supply.
- Only use the unit in dry rooms.
- Set up the unit away from direct sunlight or other electrical equipment.
- Only connect approved accessories.
- It may only be repaired by authorized service personnel.

Limited Warranty

- Not covered under this warranty is defect and damage resulting from product disassembly by yourself. And also, such behavior may amount to intellectual property infringement.

Information furnished by DASAN Network Solutions is believed to be accurate and reliable. However, no responsibility is assumed by DASAN Network Solutions for its use, nor for any infringements of patents or other rights of third parties which may result from its use. No license is granted by implication or otherwise under any patent or patent rights of DASAN Network Solutions. DASAN Network Solutions reserves the rights to change specifications at any time without notice.

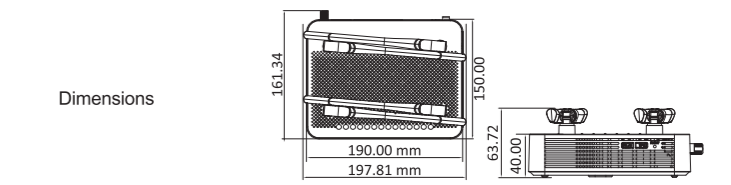
2. Introduction

2.1 Package Contents

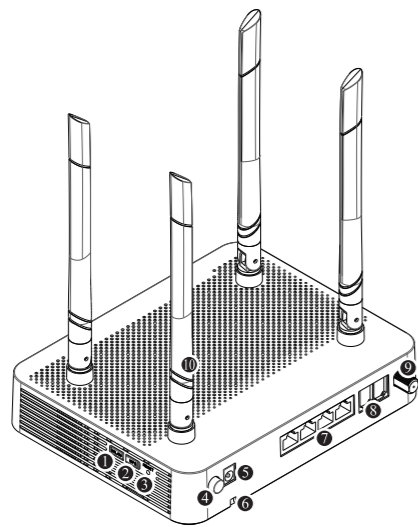
- H660RM
- Power Adapter
- RJ45 UTP Cable
- QIG (Quick Guide)

2.2 Specification

Item	Specification
SDRAM	128MB
Flash Memory	128MB
Uplink Interface	1 GPON port (1G, SC/APC)
Service Interface	4 10/100/1000Base-T ports (RJ45)
VoIP Interface	2 FXS port (RJ11)
LED	PWR, PON, ALM, Internet, TEL, 2.4/5G, WPS, LAN, CATV
Power Adapter	Output: 12VDC/1.5A
Operating Temp.	-5 to +50°C (-23 to 122°F)
Operating Humidity	20 to 90% (non-condensing)
Dimensions (W x D x H)	190 x 150 x 40 mm
Button	ON/OFF power, RESET

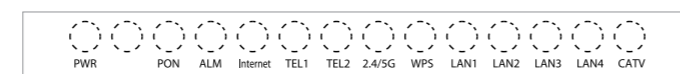


2.3 Rear View



Item	Description
① WLAN	Enable Wi-Fi function.
② WPS	Enable WPS process.
③ Reset button	Reboot the unit.
④ ON/OFF button	Turn on/off the unit.
⑤ Adaptor Jack	Connect an external power supply.
⑥ Optic Line	Connect the OLT via a passive optical splitter. 1GPON uplink interface
⑦ LAN 1~4	Connect to PC or LAN. 4 x 10/100/1000Base-T interfaces.
⑧ TEL 1~2	Connect to VoIP phone. 2 FXS interface
⑨ CATV	Connect to TV.
⑩ Antenna	Transmit and receive Wi-Fi packets.

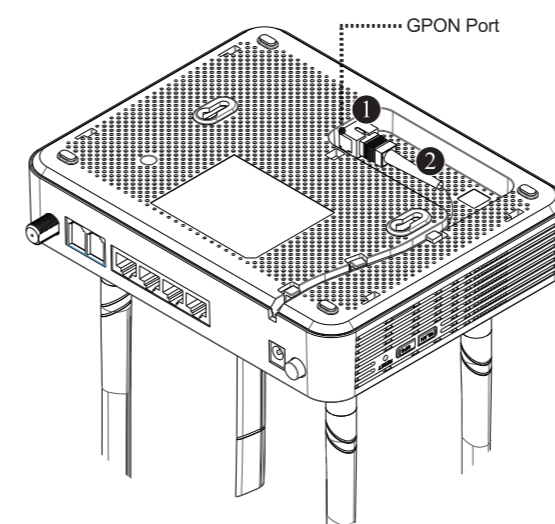
2.4 Front View (LED)



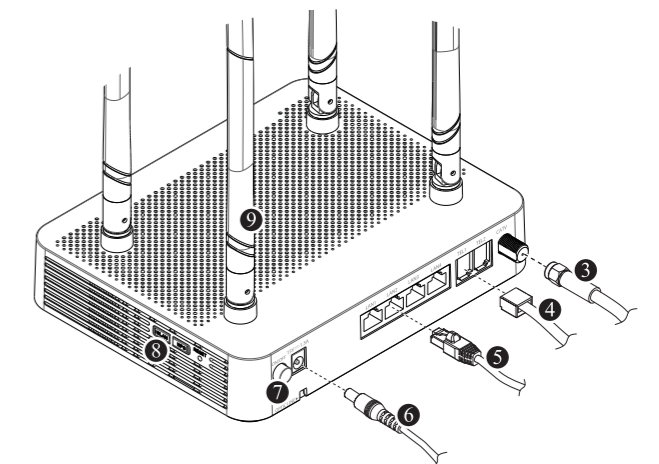
Label	Light Status	Description
PWR	Green On	The system is turned on.
	Off	The system is turned off.
PON	Red On	No optic signal. And the unit has not been registered.
	Green On	Optic signal normal. Normally registered. OMCI success.
	Blinking	Firmware being downloaded.
ALM	Red On	No optic signal, firmware update failure or other faults.
	Off	Received optical power is normal.
Internet	Green On	In service.
	Off	Not in service.
TEL 1~2	Green On	Hook off.
	Off	Hook on.
2.4/5G	Green On	The 2.4G Wi-Fi function enabled.
	Blue On	The 5G Wi-Fi function enabled.
WPS	Off	Wi-Fi function disabled.
	Green On	WPS connection successfully established (for 5 seconds).
	Blinking	WPS in progress.
LAN 1~4	Off	Disabled or process finished successfully.
	Green On	The link is up.
LAN 1~4	Blinking	Port is sending or receiving data.
	Off	The link is down.
CATV	Green On	The CATV is functioning properly. (Power in -8 to 2 dBm)
	Off	The CATV is not ready or malfunctioned.

3. Installation

- Remove the protective cap of GPON port.
- Connect an SC/APC connector optic cable to the port.



- Connect a coaxial cable from RF OUT port to CATV.
- Connect the telco cable from TEL port to VoIP phone.
- Connect the Ethernet cable from LAN port to PC.
- Connect a power adapter from power port to a live AC outlet.
- Turn on the unit by pushing the power button.
- Push WLAN button to enable Wi-Fi.
- Adjust antenna direction for better wireless communication. You can make antennas oblique outside or inside the body by tilting and rotating them.



Mounting on a Wall

If necessary, you may have your ONT mounted on a wall using mounting holes.

