



FTS-S01M-B53S-040

SFP 100Base-BX, BiDi, 1550/1310nm, single-mode, 40km



Description

FTS-S01M-B53S-040 series SFP transceiver can be used to setup a reliable, high speed serial data link over multi-mode fiber. Maximum link span can reach 40km. This transceiver is based on WDM (BiDi) technology thus it is possible to send (TX:1550nm) and receive (RX:1310nm) data simultaneously in both directions over single strain of fiber. To establish working connection this transceiver should be matched with companion module (FTS-S01M-B35S-040). Device is fully compliant with SFP MSA specifications and it is available in four hardware versions

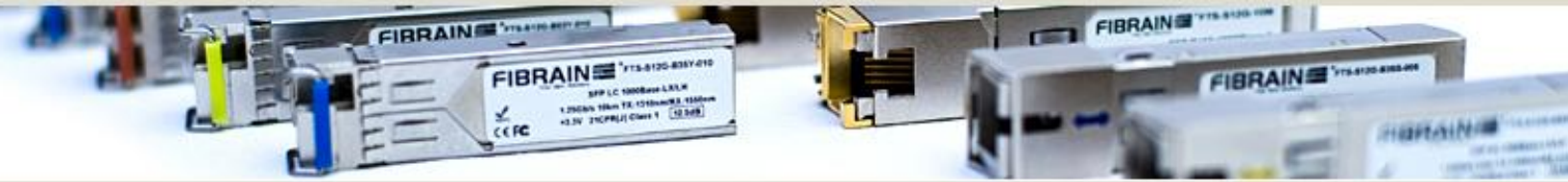
| Model | DDMI | Operating case temperature |
|---------------------|------|----------------------------|
| FTS-S01M-B53S-040 | No | 0~70°C |
| FTS-S01M-B53S-040D | Yes | 0~70°C |
| FTS-S01M-B53S-040I | No | -40~85°C |
| FTS-S01M-B53S-040DI | Yes | -40~85°C |

Host device can access module internal EEPROM memory and DDMI (when available) via I²C interface.

DDMI (Digital Diagnostic Monitoring Interface) is fully compliant with DOM. Transceiver can be prepared as compatible with: Cisco, HP, Netgear, Avaya, D-Link, Brocade, Extreme Networks, Huawei, Enterasys, 3Com, Alcatel-Lucent and other. To confirm compatibility please contact technical support before ordering.

Applications

- Fast Ethernet (125Mbps)
- OC-3 / STM 1
- Other optical connections



Key features

- SC Simplex receptacle
- Transmission distance up to 40km*
- BOSA with Fabry-Perot laser diode (1550nm) transmitter, PIN photodiode receiver (1310nm)
- Throughput up to 155Mb/s (Fast Ethernet, SONET/SDH)
- Fully compliant with SFP MSA INF-8074i rev. 1.0 and INF-8472 rev. 11.3 (where applicable)
- Hot-Pluggable
- RoHS compliant
- Class 1 laser safety
- Low power dissipation (<1W)
- Metal case for low EMIS
- Operating case temperature* : 0~70°C / -40~85°C

Specification

Supported transmission technology

Fast Ethernet, SONET/SDH

Speed supported for Ethernet technology

155Mbps

Speed supported for Fibre Channel technology

N/A

Transmission medium

Single-mode fiber 9/125µm

Transmission distance**

40km

Receptacle type

SC Simplex

Wavelength

TX: 1550nm / RX:1310nm

Output power

-9~-3dBm

Receiver sensitivity

-32dBm

Power supply voltage

3.3V

Total power consumption

< 1W

Operating environment – temperature*

0~70°C / -40~+85°C

Operating environment - humidity

5~95% non-condensing

Dimensions

56.4mm × 13.4mm × 8.5mm

* - standard / industrial version

** - transmission distance depends on optical link attenuation



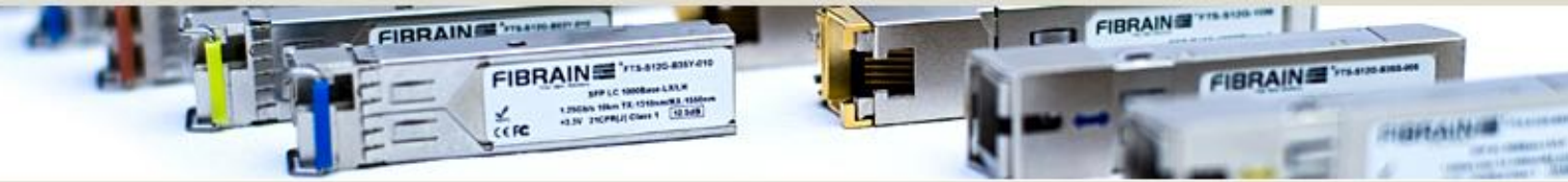
Detailed technical specification

Pin Description

| Pin | Name | Function/Description | Engagement order | Notes |
|-----|-------------|---|------------------|-------|
| 1 | VeeT | Transmitter Ground | 1 | - |
| 2 | TX Fault | Transmitter Fault Indication | 3 | 1 |
| 3 | TX Disable | Transmitter Disable-Module disables on high or open | 3 | 2 |
| 4 | MOD-DEF2 | Module Definition 2-Two wire serial ID interface | 3 | 3 |
| 5 | MOD-DEF1 | Module Definition 1-Two wire serial ID interface | 3 | 3 |
| 6 | MOD-DEF0 | Module Definition 0-Grounded in module | 3 | 3 |
| 7 | Rate Select | Not Connected | 3 | |
| 8 | LOS | Loss of Signal | 3 | 4 |
| 9 | VeeR | Receiver Ground | 1 | - |
| 10 | VeeR | Receiver Ground | 1 | - |
| 11 | VeeR | Receiver Ground | 1 | - |
| 12 | RD- | Inverse Received Data out | 3 | 5 |
| 13 | RD+ | Received Data out | 3 | 5 |
| 14 | VeeR | Receiver Ground | 1 | - |
| 15 | VccR | Receiver Power - +3.3V±5% | 2 | 6 |
| 16 | VccT | Transmitter Power - +3.3 V±5% | 2 | 6 |
| 17 | VeeT | Transmitter Ground | 1 | - |
| 18 | TD+ | Transmitter Data In | 3 | 7 |
| 19 | TD- | Inverse Transmitter Data In | 3 | 7 |
| 20 | VeeT | Transmitter Ground | 1 | - |

Notes:

- TX Fault is open collector/drain output which should be pulled up externally with a 4.7KΩ-10KΩ resistor on the host board. When high, this output indicates a laser fault of some kind. Low indicates normal operation.
- TX Disable input is used to shut down the laser output per the state table below. It is pulled up to Vcc within the module.
Low (0 – 0.8V): Transmitter on
Open or High (2.0 – VccT): Transmitter Disabled
- Mod-Def 0, 1, 2. These are the module definition pins. They should be pulled up to Vcc with a 4.7KΩ-10KΩ resistor on the host board
Mod-Def 0 is grounded by the module to indicate that the module is present.
Mod-Def 1 is clock line of two wire serial interface for optional serial ID.
Mod-Def 2 is data line of two wire serial interface for optional serial ID.
- LOS (Loss of signal) - when high, this output indicates the received optical power is below the worst case receiver sensitivity (as defined by the standard in use). Low indicates normal operation.
- These are the differential receiver outputs. They are AC coupled 100Ω differential lines which should be terminated with 100Ω differential at the user SERDES. The AC coupling is done inside the module and thus not required on the host board.
- VccR and VccT are the receiver and transmitter power supplies. They are defined as 3.3V±5% at the SFP connector pin. The in-rush current will typically be no more than 30mA above steady state supply current after 500ns.
- TD-/+: These are the differential transmitter inputs. They are AC coupled differential lines with 100Ω differential termination inside the module. The AC coupling is done inside the module and is thus not required on host board.



Electrical parameters

| Parameter | Symbol | Min. | Typ. | Max. | Unit | Notes |
|-------------------------------------|-----------------|------|------|-----------------|--------|-------|
| Transmitter Differential Input Volt | +/-TX_DAT | 300 | | 2200 | mV p-p | 1 |
| Receiver Differential Output Volt | +/-RX_DAT | 600 | | 1400 | mV p-p | 2 |
| Tx_Disable Input Voltage – Low | V _{IL} | 0 | | 0.8 | V | |
| Tx_Disable Input Voltage – High | V _{IH} | 2.0 | | V _{CC} | V | |
| Tx_Fault Output Voltage – Low | V _{OL} | 0 | | 0.8 | V | 3 |
| Tx_Fault Output Voltage – High | V _{OH} | 2.0 | | V _{CC} | V | 3 |
| Rx_LOS Output Voltage- Low | V _{OL} | 0 | | 0.8 | V | 3 |
| Rx_LOS Output Voltage- High | V _{OH} | 2.0 | | V _{CC} | V | 3 |
| Throughput | B | | 1250 | | Mb/s | |
| Total current requirement | | | | 270 | mA | |

Transmitter parameters

| Parameter | Symbol | Min. | Typ. | Max. | Unit | Notes |
|------------------------|--|------|------|------|------|-------|
| Central wavelength | λ_c | 1480 | 1550 | 1580 | nm | |
| Spectral width | $\Delta\lambda$ | | | 1 | nm | |
| Launch optical power | P _o | -9 | | -3 | dBm | 4 |
| Extinction ratio | EX | 9 | | | dB | |
| Dispersion penalty | | | | 1 | dB | |
| Optical rise/fall time | T _{rise} /T _{fall} | | | 1.5 | ns | 5 |
| Eye diagram | Compliant with IEEE802.3-2005 Fast Ethernet 100BASE-BX | | | | | |

Receiver parameters

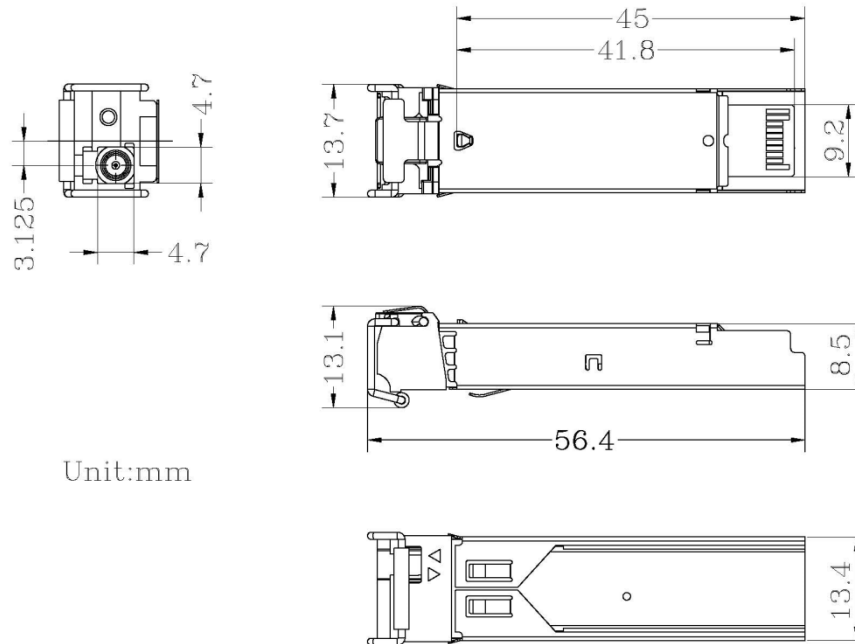
| Parameter | Symbol | Min. | Typ. | Max. | Unit | Notes |
|---------------------|------------------|------|------|------|------|-------|
| Sensitivity | P _{min} | | | -32 | dBm | 6 |
| Central wavelength | λ_c | 1260 | 1310 | 1360 | nm | |
| Receiver overload | P _{MAX} | -8 | | | dBm | 6 |
| RX_LOS Asserted | S _A | -45 | | | dBm | |
| RX_LOS De-Asserted | S _D | | | -33 | dBm | |
| RX_LOS Hysteresis | - | | 3.0 | | dB | |
| Optical return loss | ORL | 12 | | | dB | |

Notes:

1. Internally AC coupled and terminated to 100Ω differential load.
2. Internally AC coupled, but requires a 100Ω differential termination or internal to Serializer/Deserializer.
3. It is open collector/drain output which should be pulled up externally to V_{CC} with a 4.7KΩ-10KΩ resistor on the host board. LOS: logic 0 indicates normal operation; logic 1 indicates no signal detected.
4. Optical power is launched into MMF
5. 20-80%
6. Measured with PRBS 2⁷-1 at 10⁻¹² BER



Mechanical specification



Unit:mm

Recommended environment conditions

| Parameter | Symbol | Min | Typ | Max | Unit |
|--|-----------------|-------|-----|-------|------|
| Operating Temperature Range (industrial) | T | -40 | - | 85 | °C |
| Operating Temperature Range (standard) | T | 0 | 25 | 70 | °C |
| Supply Voltage | V _{CC} | 3.135 | 3.3 | 3.465 | V |
| Relative Humidity | RH | 5 | - | 95 | % |

Ordering information

- FTS-S01M-B53S-040– 1550/1310nm, 40km, single-mode, SC simplex, commercial temperature (0~70°C)
- FTS-S01M-B53S-040**D**– 1550/1310nm, 40km, single-mode, SC simplex, **DDMI**, commercial temperature (0~70°C)
- FTS-S01M-B53S-040**I**– 1550/1310nm, 40km, single-mode, SC simplex, **extended temperature** (-40~85°C)
- FTS-S01M-B53S-040**DI**– 1550/1310nm, 40km, single-mode, SC simplex, **DDMI, extended temperature** (-40~85°C)

For further information regarding host device PCB layout recommendation, power supply requirements, EEPROM memory map, DDMI specification please check:

[SFF-8472 - Description of EEPROM and Digital Diagnostic Monitoring Interface](#) and [INF-8074 - Technical specification for SFP transceiver](#)

Fibrain Sp. z o.o. reserves the right to make changes to the products or information contained herein without notice. No liability is assumed as a result of their use or application.

Pictures used for reference only, actual product look may differ. For most actual information please contact technical support via aktywa@fibrain.pl